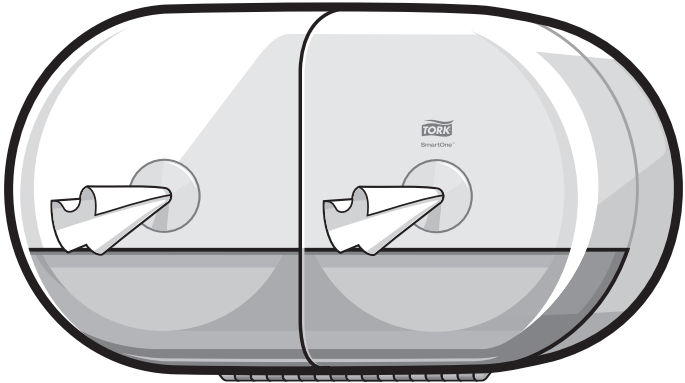


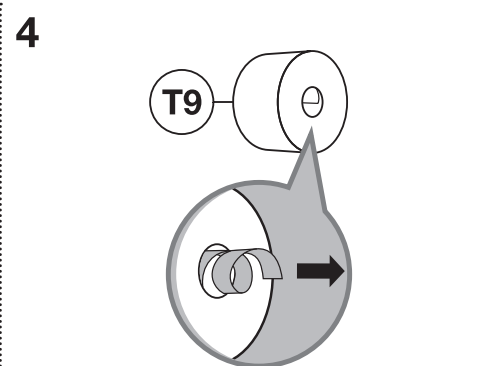
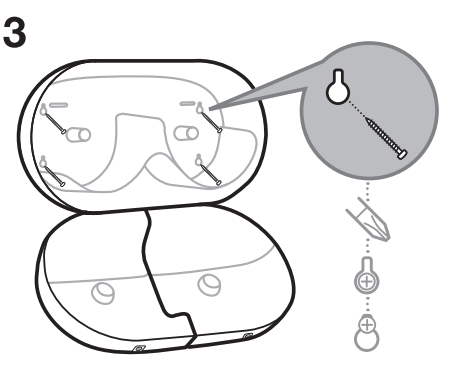
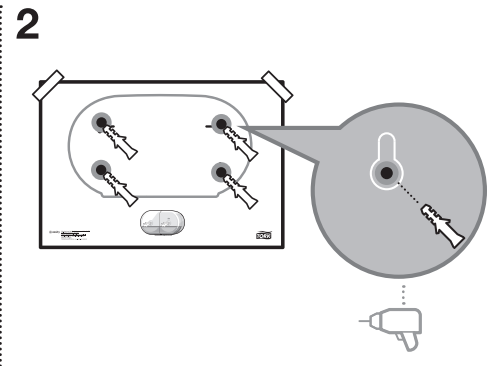
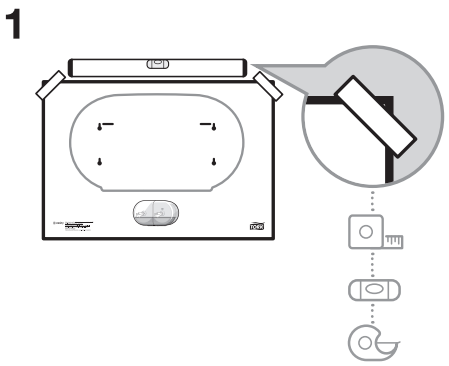
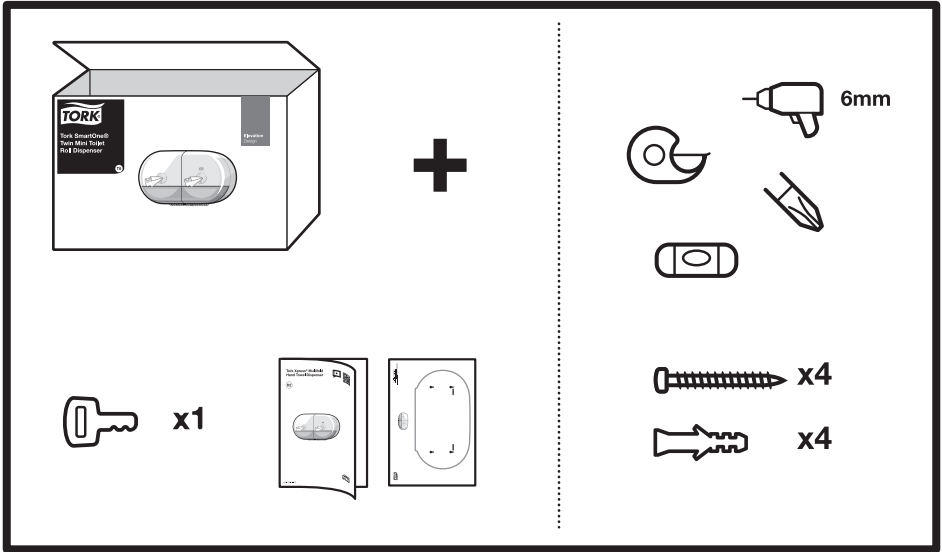
Tork SmartOne® Twin Mini Toilet Roll Dispenser

Elevation
Design

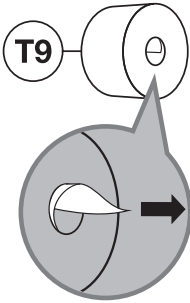
T9



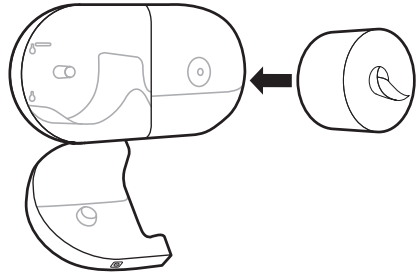
Tork SmartOne® Twin Mini Toilet Roll Dispenser



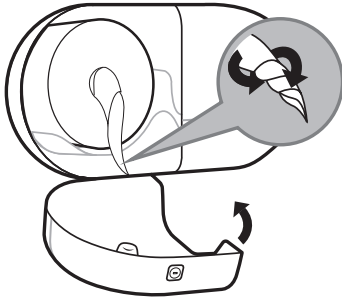
5



6

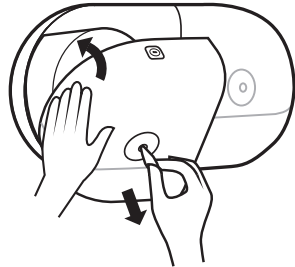


7

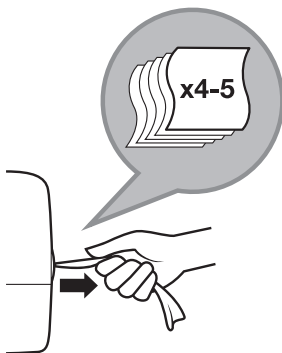


8

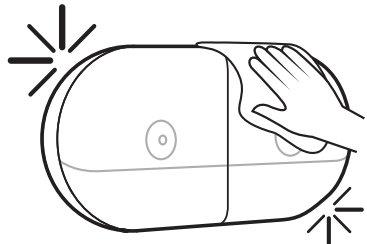
! Pull tissue when closing

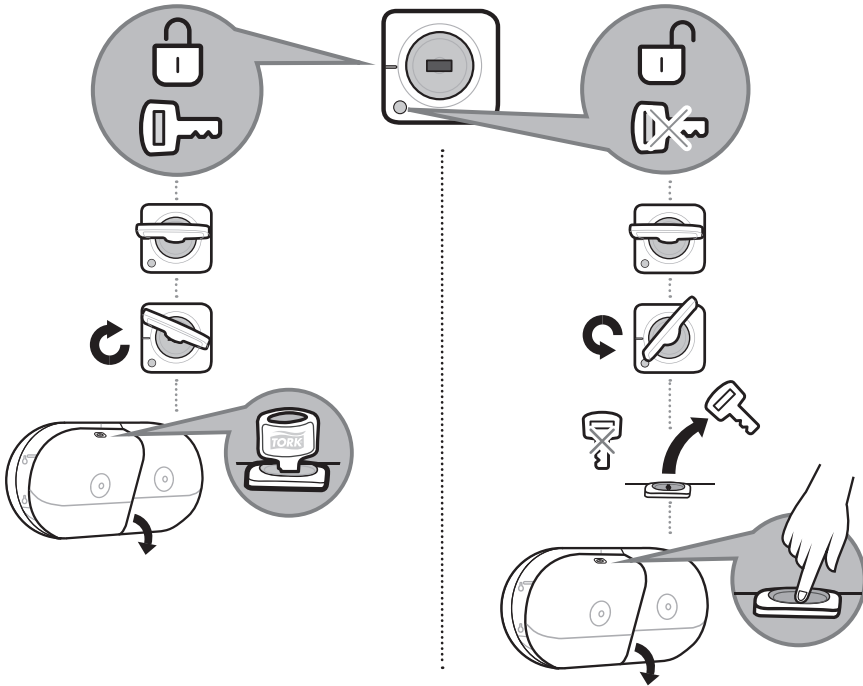


9



10





Disposal

- Damaged or malfunctioning product should be disposed of immediately to avoid potential of injury
- Products should be disposed of in accordance with applicable regulations

Cleaning instructions

- Clean dispenser with mild detergent and soft cloth



Manufactured by Essity Hygiene and Health AB
 SE-40503 Göteborg, Sweden

Visiting address: Mölnåls Bro 2, Mölndal

www.essity.com, www.torkglobal.com

Made in Hungary

Patents/Brevets/Patentes: www.essity.com/patents

Essity UK Limited

Southfields Road, Dunstable,

Bedfordshire, LU6 3EJ, UK