

Tork PeakServe® Mini Continuous™ Hand Towel

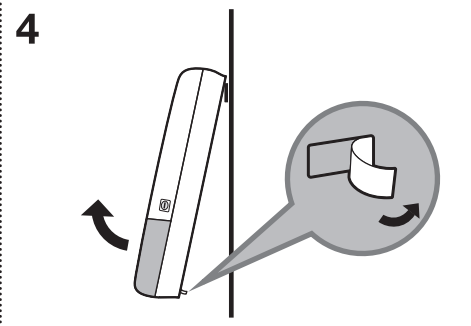
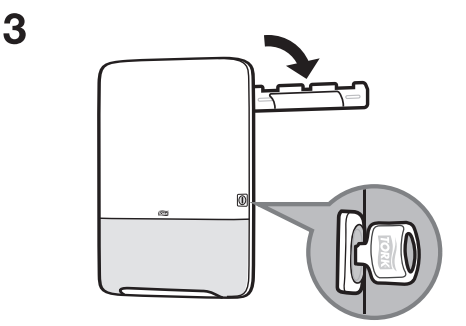
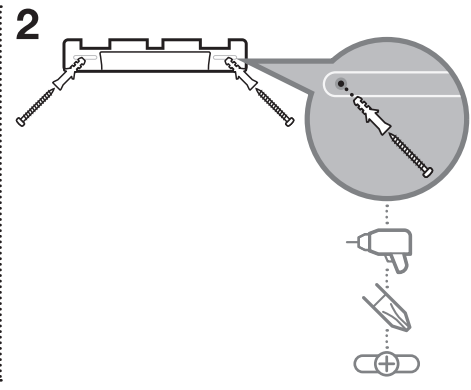
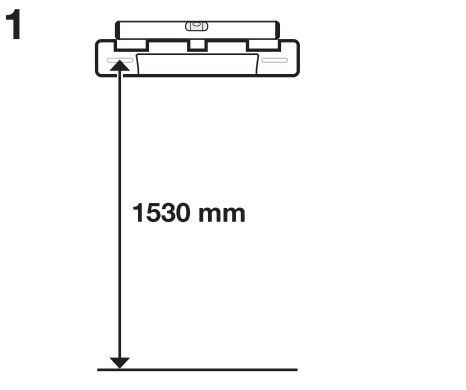
Elevation
Design

H5

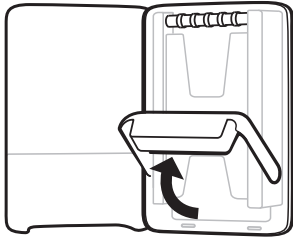


Tork PeakServe® Mini Continuous™ Hand Towel

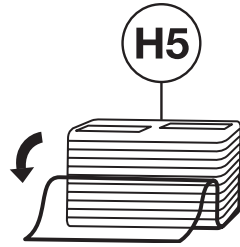
The parts list is enclosed in a large rectangular frame. On the left, there is an illustration of the dispenser box labeled 'TORK PeakServe™ Mini Continuous Hand Towel Dispenser' with 'Elevation Design' and 'H5' also visible. Below the box are a key and a metal mounting bracket, both labeled 'x1'. In the center, a plus sign is positioned above a small instruction booklet. On the right side of the frame, separated by a vertical dotted line, are the following items: a 6mm drill bit, a screwdriver, a square key, four screws labeled 'x4', and four anchors labeled 'x4'.



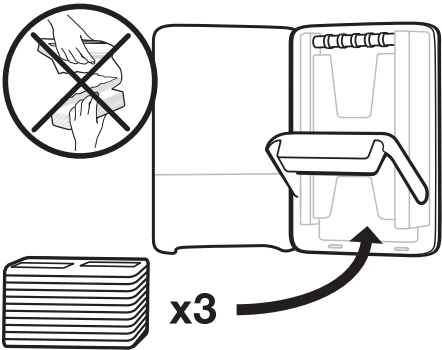
5



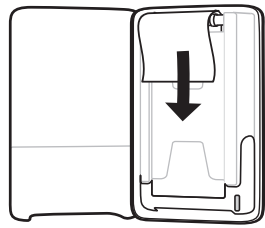
6



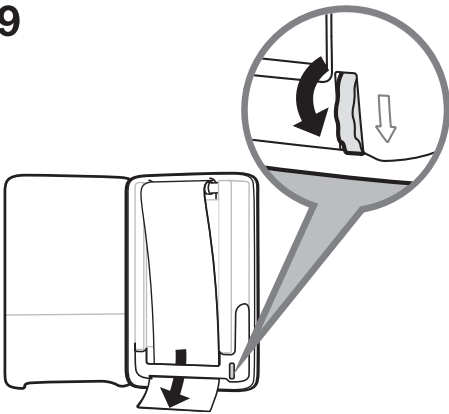
7



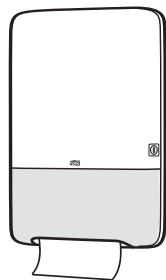
8

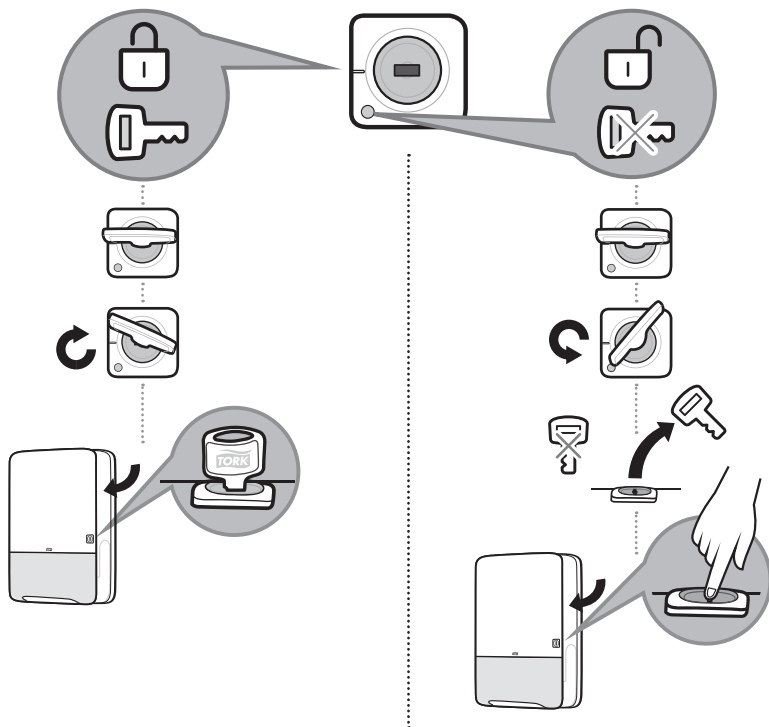


9



10





Disposal

- Damaged or malfunctioning product should be disposed of immediately to avoid potential of injury
- Products should be disposed of in accordance with applicable regulations

Cleaning instructions

- Clean dispenser with mild detergent and soft cloth



Manufactured by Essity Hygiene and Health AB
 SE-40503 Göteborg, Sweden

Visiting address: Möndals Bro 2, Möndal

www.essity.com, www.torkglobal.com

Made in Poland

Patents/Brevets/Patentes: www.essity.com/patents

Essity UK Limited
 Southfields Road, Dunstable,
 Bedfordshire, LU6 3EJ, UK